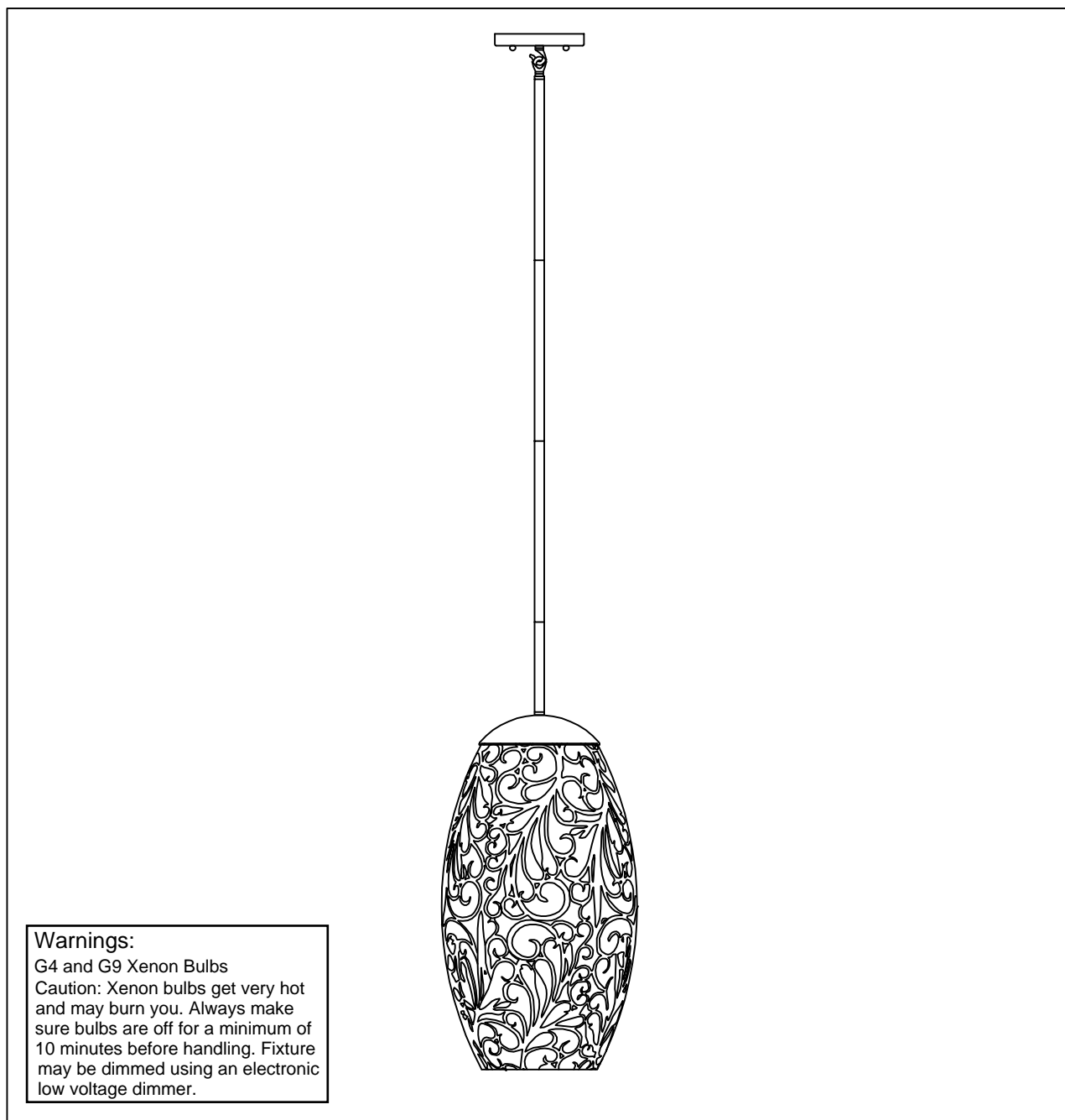




PRODUCT NAME: Arabesque
ITEM NUMBER: 24153

Please consult your electrician for Hang fixture and wiring.

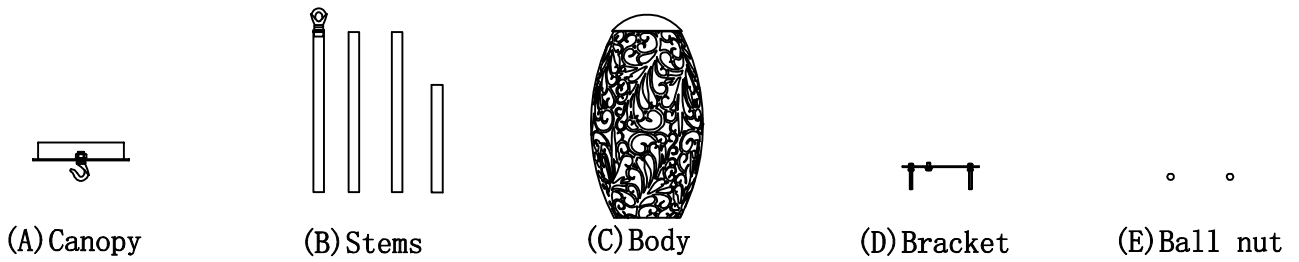


Bulb(included) :40W G9 Xenon Clear

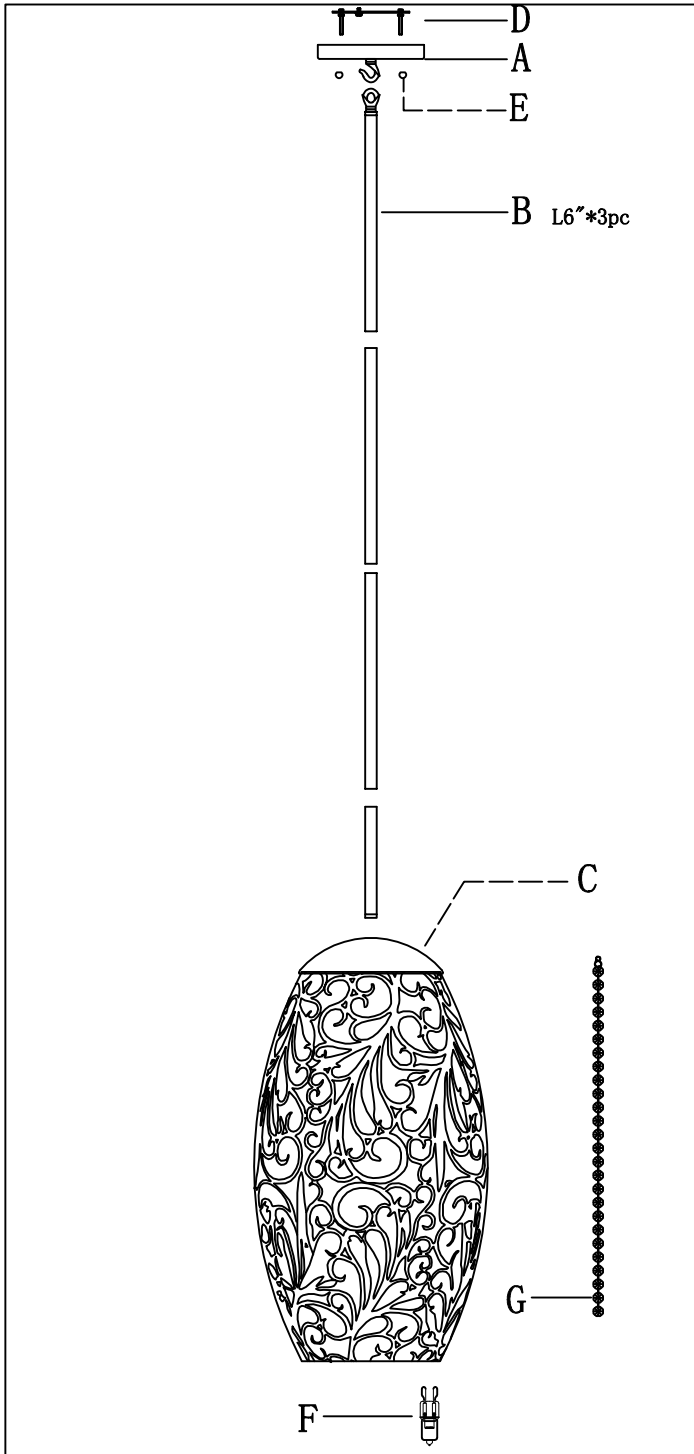
**PRODUCTS ARE NOT INENDED
FOR COMMERCIAL USE.**

**MADE IN CHINA
Page 1 of (3)**

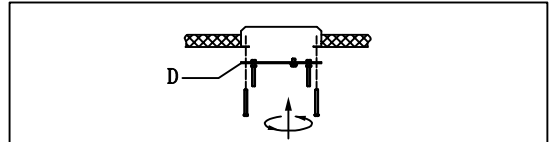
IMPORTANT: Turn off power at the main fuse or circuit breaker box before starting installation



Locate all hardware & components before discarding packaging

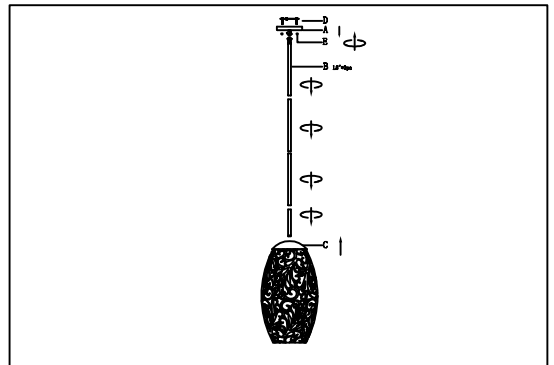


1.)



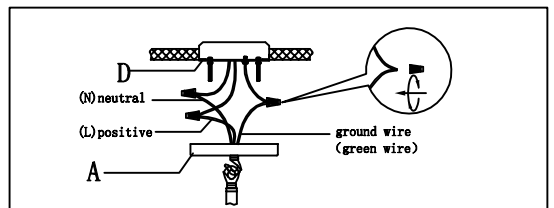
Step. 1: Remove mounting bracket(D) from fixture and install to electrical box.

2.)



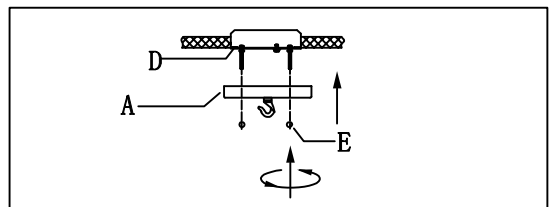
Step. 2: Run wire through stems(B) and combine stem lengths to meet desired mounting height.

3.)



Step. 3: Wire fixture to wires in outlet box. Copper/Green wire is for Ground.

4.)



Step. 4: Install fixture to bracket and tighten ball nuts (E) on the canopy to secure.

Cleaning & Care:

Clean with soft cloth and a mild detergent. Do not use abrasive cleaner.

IMPORTANT: Turn off power at the main fuse or circuit breaker box before starting installation

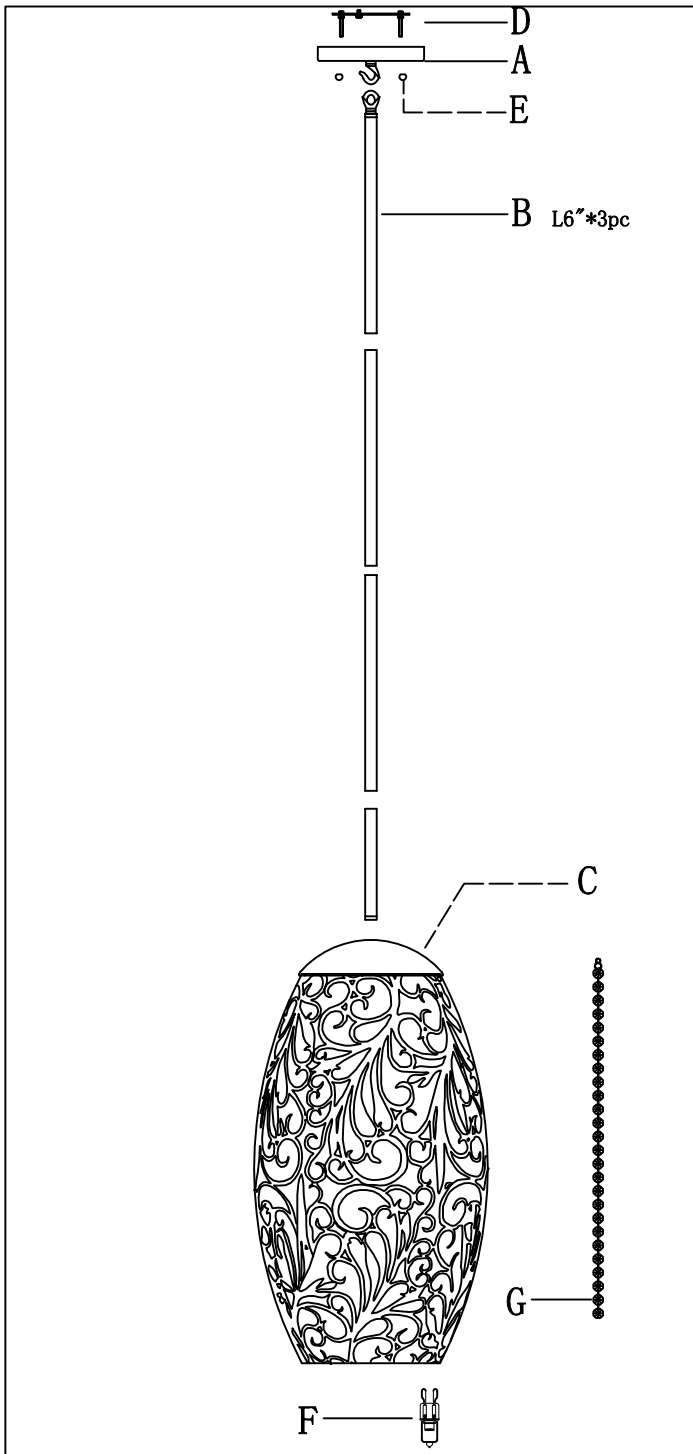


(F) Bulb

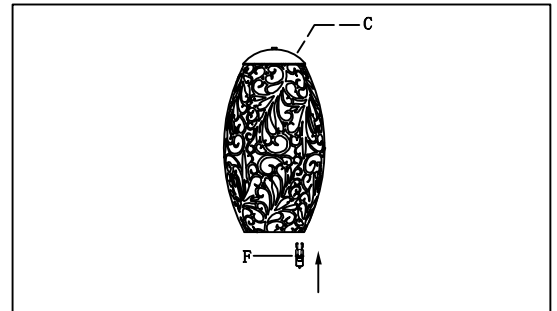


(G) Crystal

Locate all hardware & components before discarding packaging

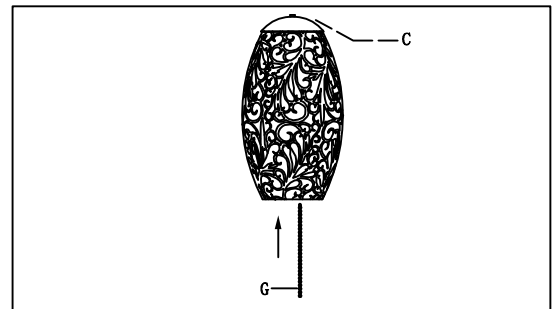


4.)



Step. 4: Install the bulb

5.)



Step. 5: Hang the crystal(G)
on lamp body(C)

Cleaning & Care:

Clean with soft cloth and a mild detergent.
Do not use abrasive cleaner.