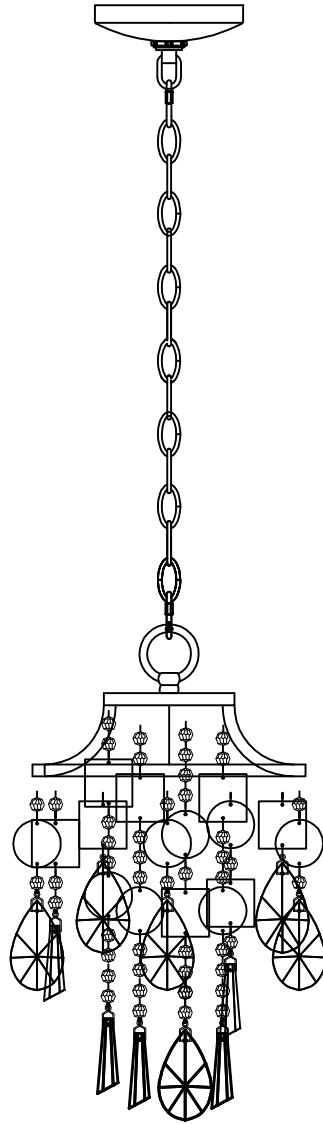


PRODUCT NAME: Cebu 1LT Pendant  
NUMBER: 14422

Please consult your electrician for Hang fixture and wiring.



Bulb (Not included) : 1\*MB 60W

**IMPORTANT:** Turn off power at the main fuse or circuit breaker box before starting installation



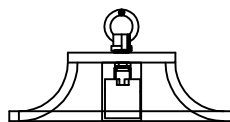
(D) Bracket



(E) Canopy



(F) Chain

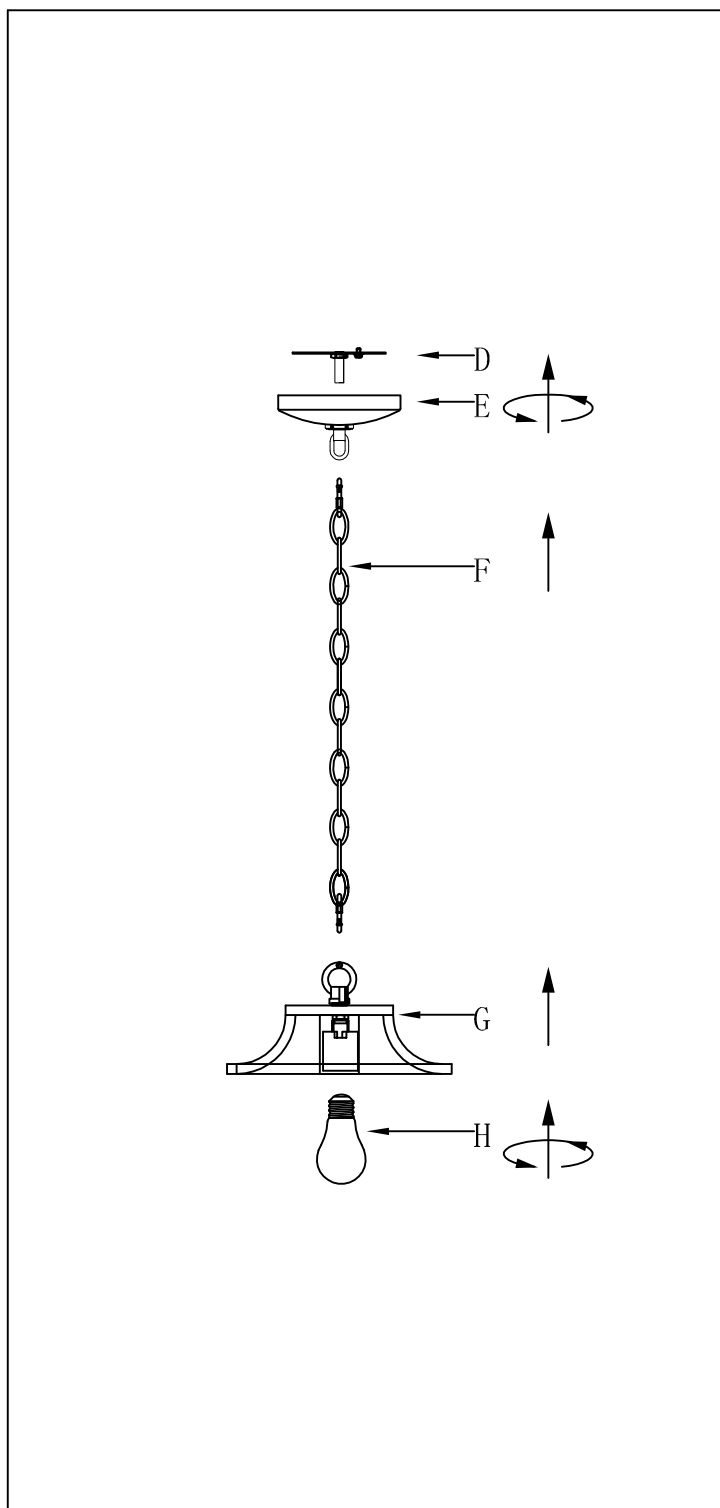


(G) Body

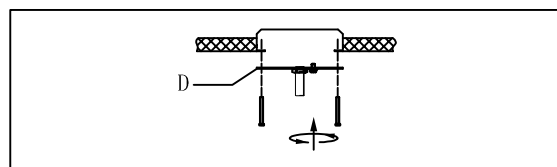


(L) Bulb

**Locate all hardware & components before discarding packaging**

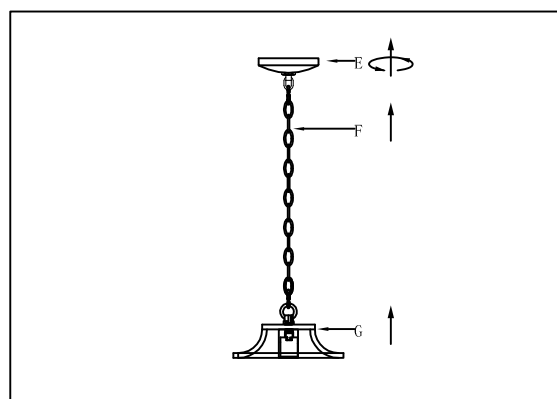


1.)



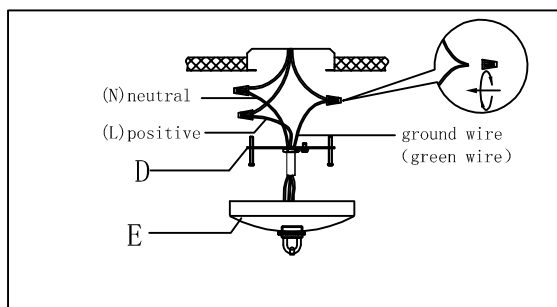
**Step. 1:** Remove mounting bracket (D) from fixture and install to electrical box.

2.)



**Step. 2:** Attach appropriate amount of chain to loop to achieve desired mounting height. Thread wire through every 3rd loop of chain.

3.)

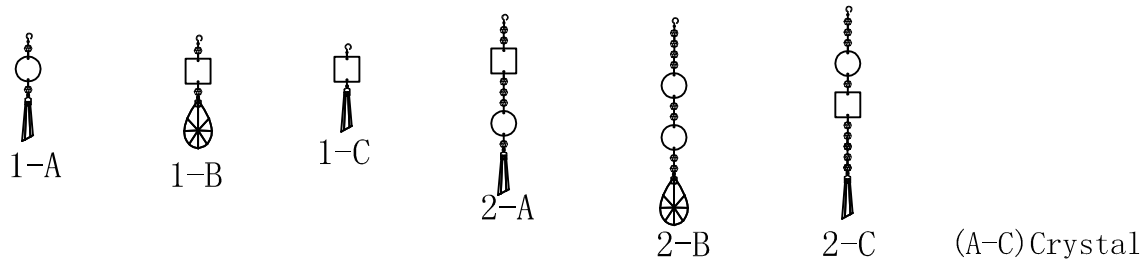


**Step. 3:** Wire fixture to wires in outlet box. Copper/Green wire is for Ground.

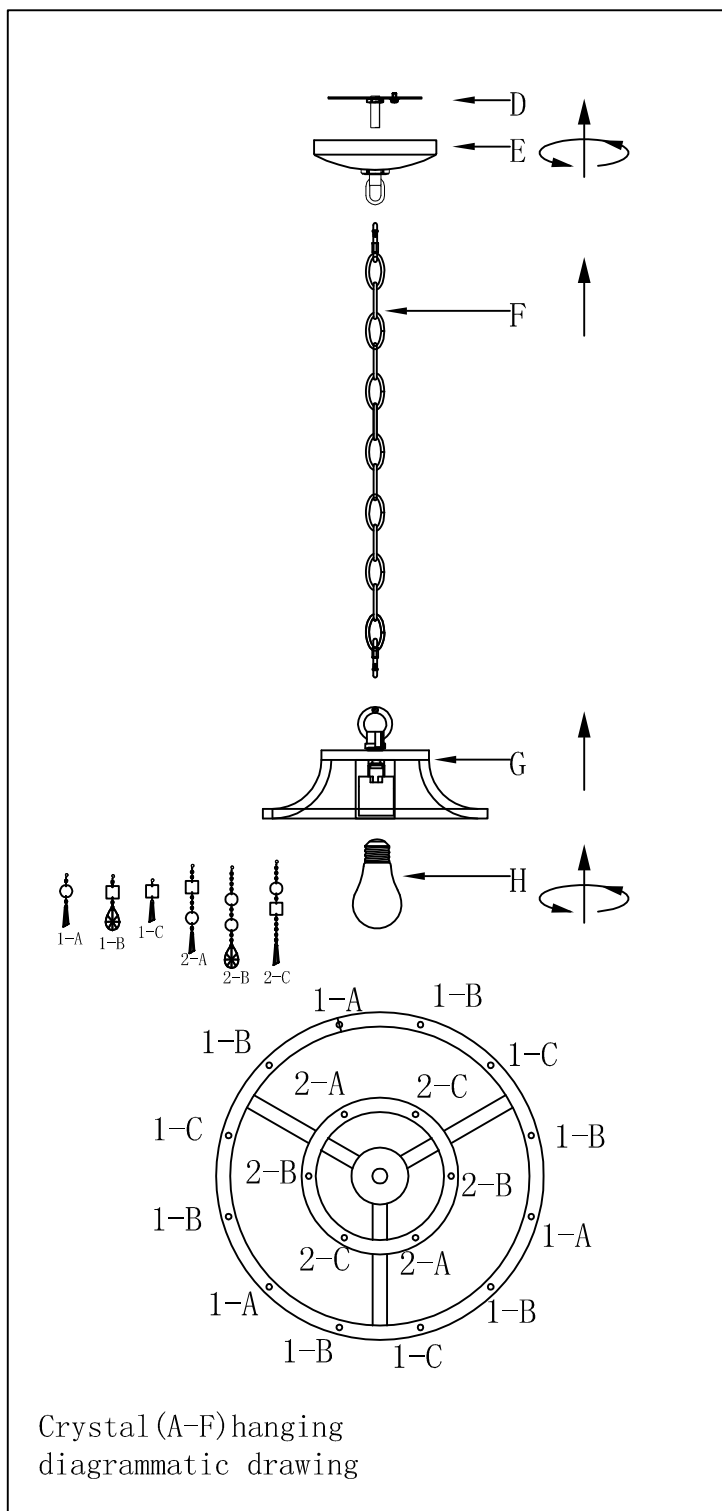
**Cleaning & Care:**

Clean with soft cloth and a mild detergent.  
Do not use abrasive cleaner.

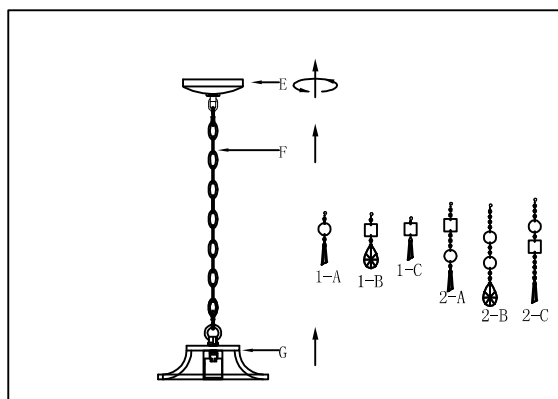
**IMPORTANT:** Turn off power at the main fuse or circuit breaker box before starting installation



Locate all hardware & components before discarding packaging

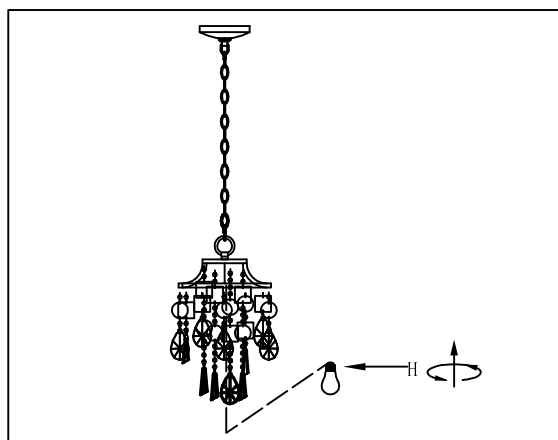


4.)



Step. 4: Hang the crystal (A-F) follow the left side drawing. Or DIY your own style.

5.)



Step. 5: Install the bulb.

**Cleaning & Care:**

Clean with soft cloth and a mild detergent.  
Do not use abrasive cleaner.