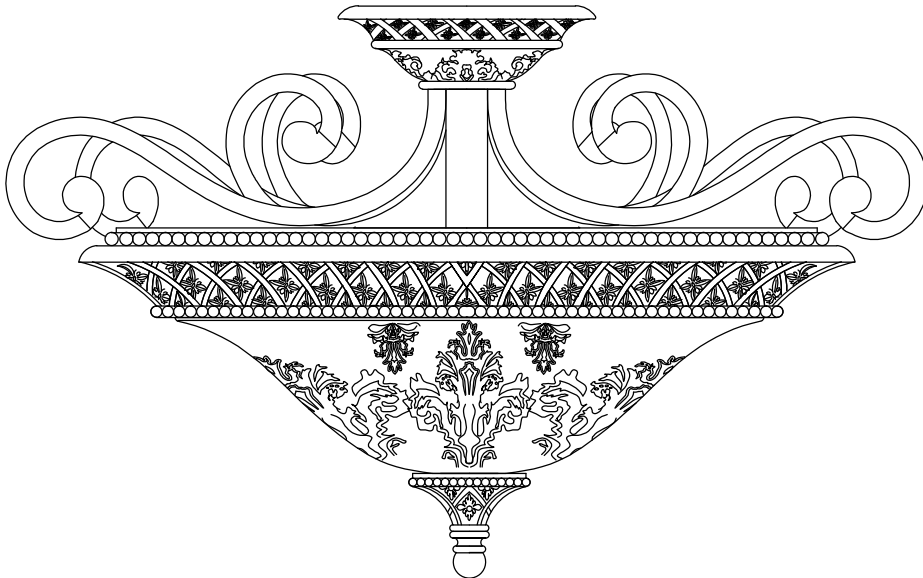




PRODUCT NAME: Symphony 3-Light Semi-Flush Mount
ITEM NUMBER:11241



Please consult a qualified electrician for hanging fixture and wiring.

Light Source : 3 X E26 Medium base 60W (Not Included)





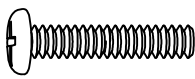

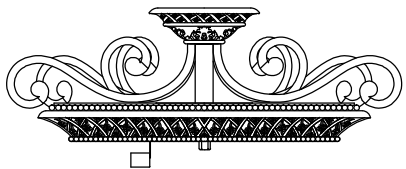
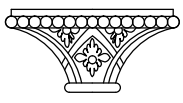




Made in China / Hecho en China / Fabrique en China

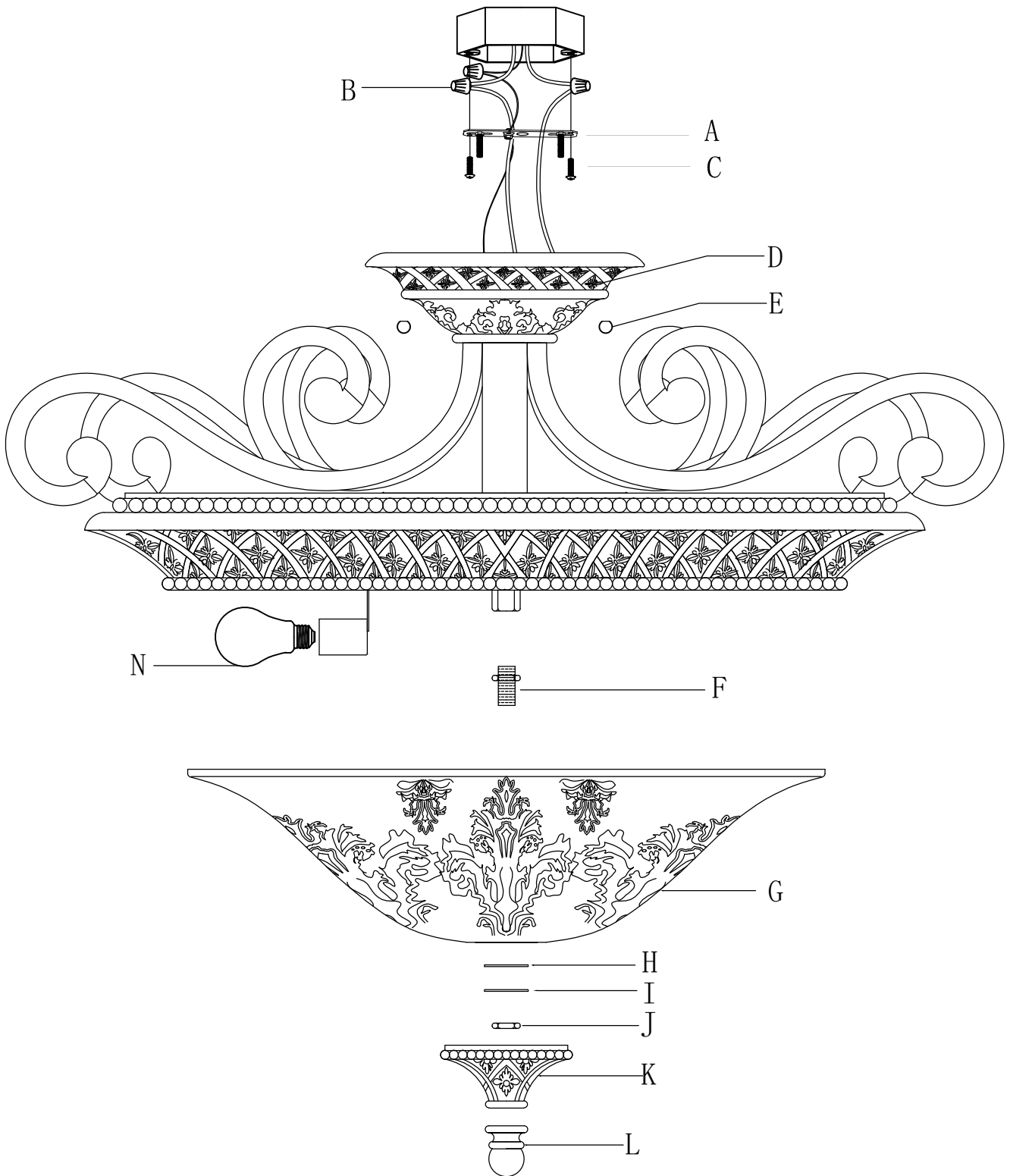
EN Contents

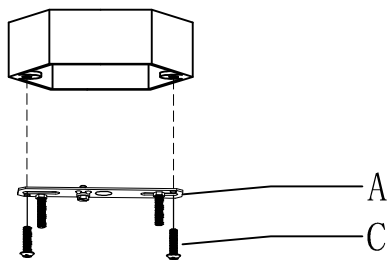
Before getting started, ensure the package contains the following components:

Antes de comenzar, asegúrese de que el paquete contenga los siguientes componentes:

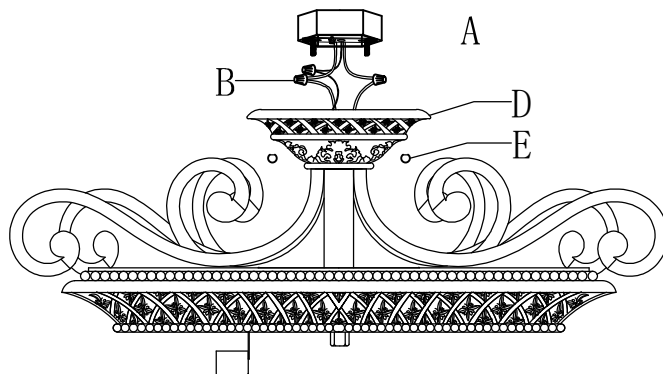
Avant de commencer, assurez-vous que le paquet contient les composants suivants:

<p>(A)</p>	 <p>Crossbar</p>	<p>x1</p>	<p>(H)</p>	 <p>RUBBER WASHER</p>	<p>x1</p>
<p>(B)</p>	 <p>Wire connector</p>	<p>x3</p>	<p>(I)</p>	 <p>Metal washer</p>	<p>x1</p>
<p>(C)</p>	 <p>Screw #8-32x1"</p>	<p>x2</p>	<p>(J)</p>	 <p>Hex Nut</p>	<p>x1</p>
<p>(D)</p>	 <p>Fixture</p>	<p>x1</p>	<p>(K)</p>	 <p>Poly Cap</p>	<p>x1</p>
			<p>(L)</p>	 <p>Finial</p>	<p>x1</p>
<p>(E)</p>	 <p>Ball nut</p>	<p>x2</p>			
<p>(F)</p>	 <p>Nipple</p>	<p>x1</p>			
<p>(G)</p>	 <p>Glass</p>	<p>x1</p>			

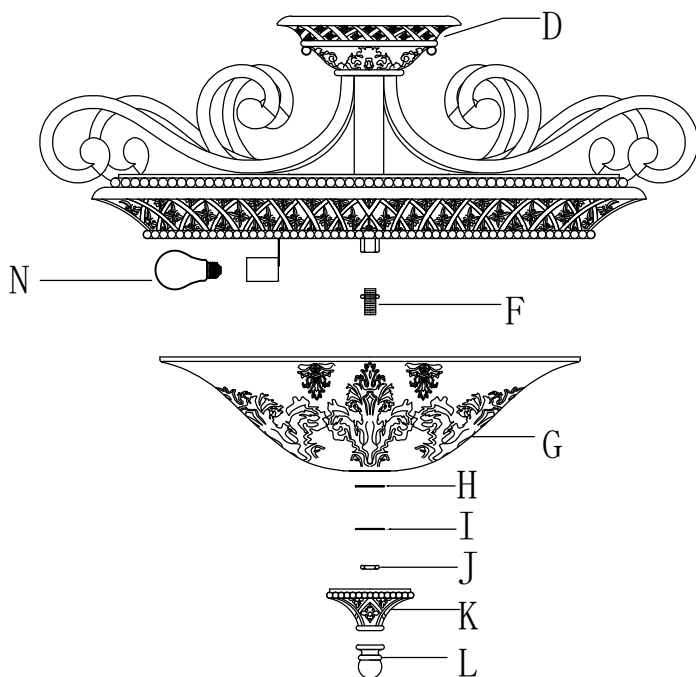




1.



2.



3.
