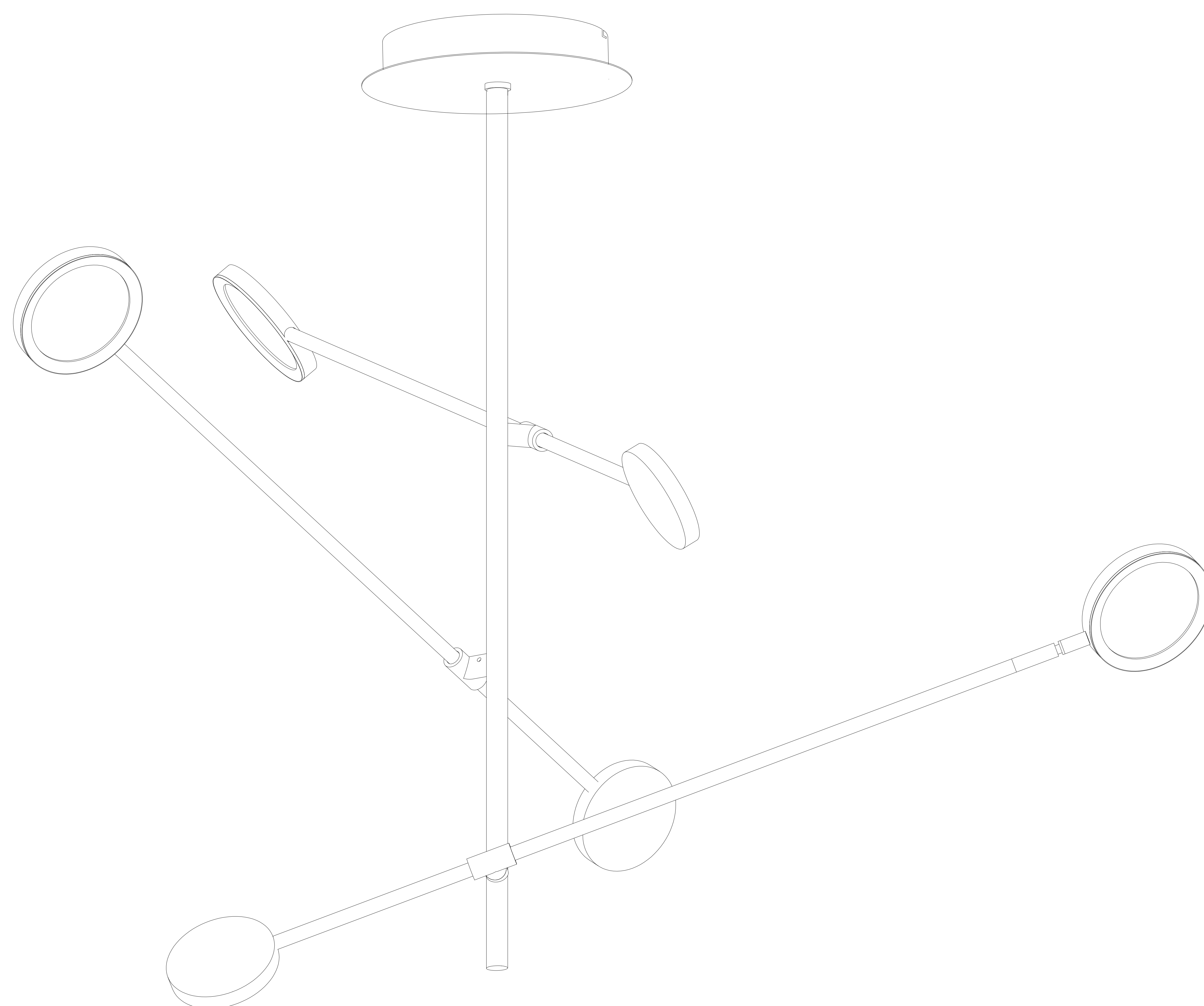


Contemporary Lighting™

PRODUCT NAME: Paddle LED Flush Mount
ITEM NUMBER: E23292-BK

Please consult your electrician for hanging fixture and wiring.



The fixture is designed to dim with a standard Triac forward phase dimmer. Dimming levels will vary by dimmer.

Below is a list of recommended dimmers:

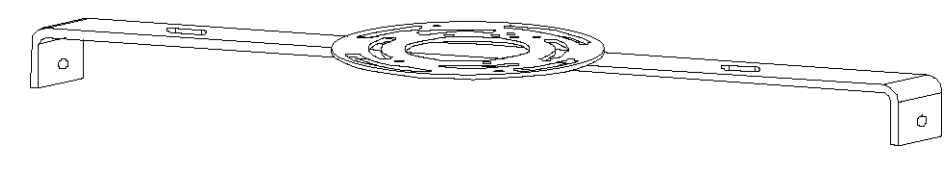
- Lutron DVCL-153P
- Lutron SCL-153P
- Leviton IPL06-10Z
- Legrand DRD4
- Legrand RH703PTU

Due to inrush current wattage should not exceed 150 watts of product for a 600 watt dimmer.

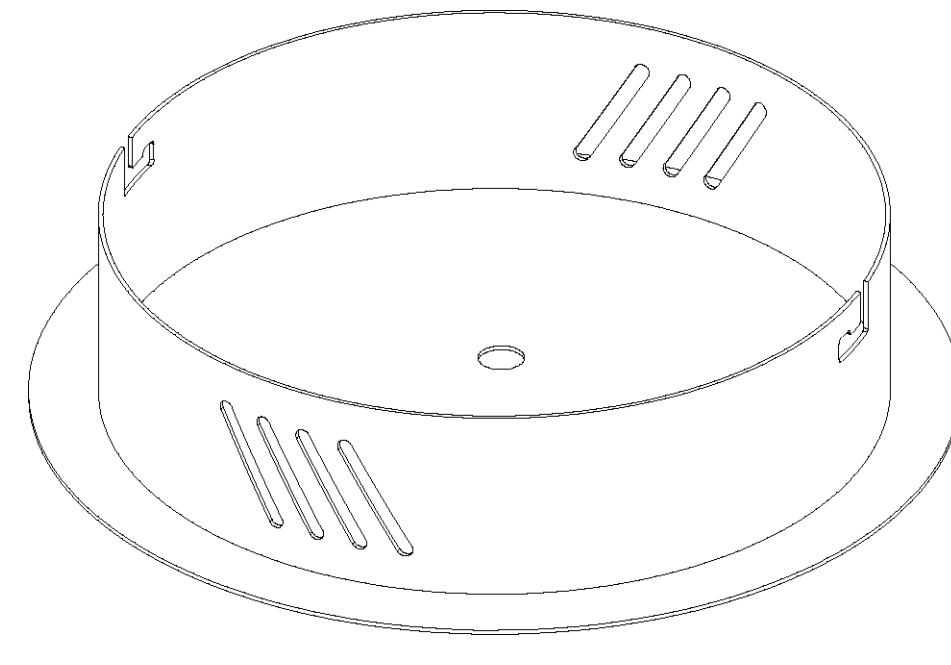
WARNING: Wires need to be connected to driver found in canopy and should not be connected directly to power source or a short may occur.

Bulbs(integrated) :21W LED

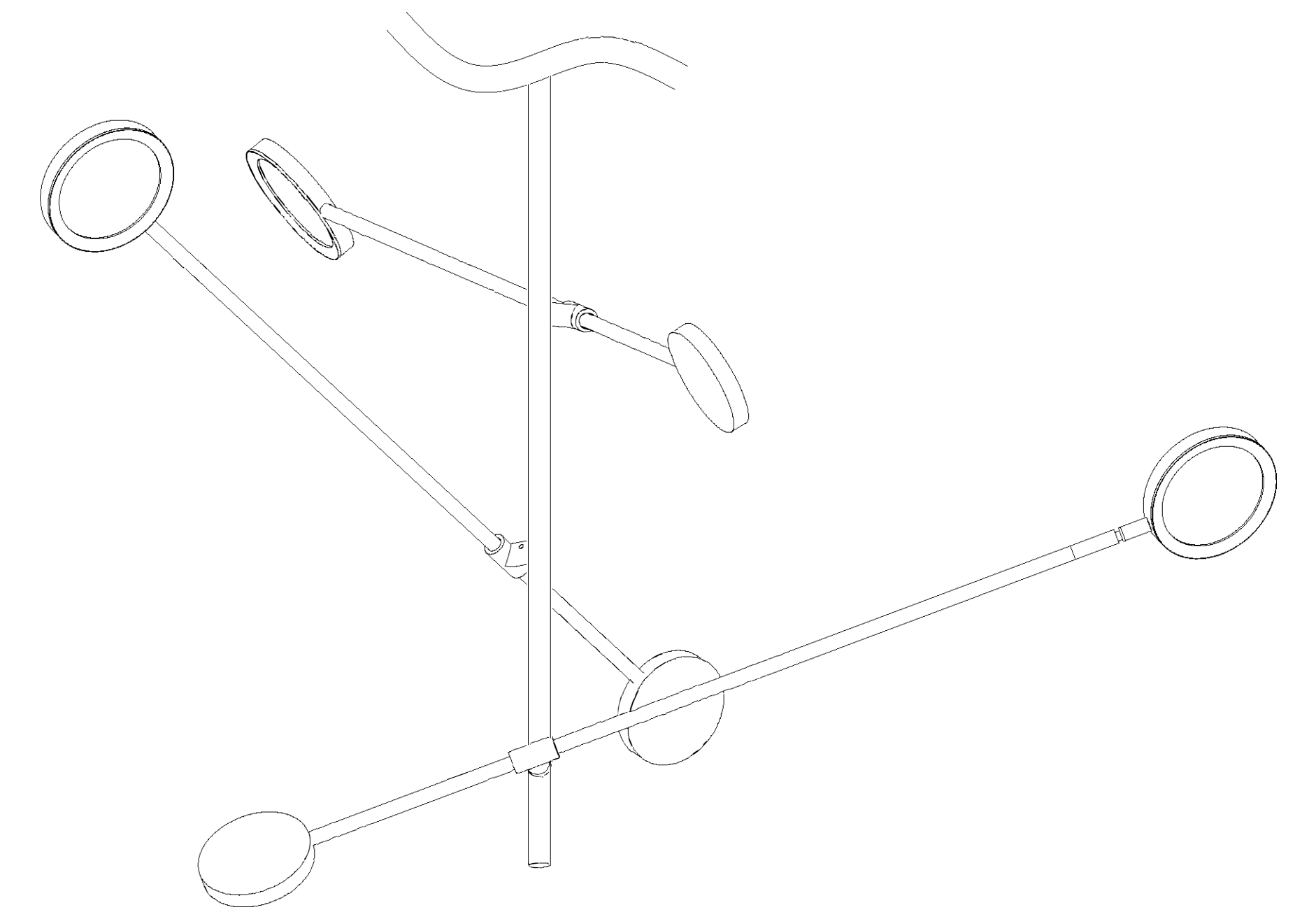
IMPORTANT: Turn off the power at the main fuse or circuit breaker box before starting installation



(A)
Mounting Bracket

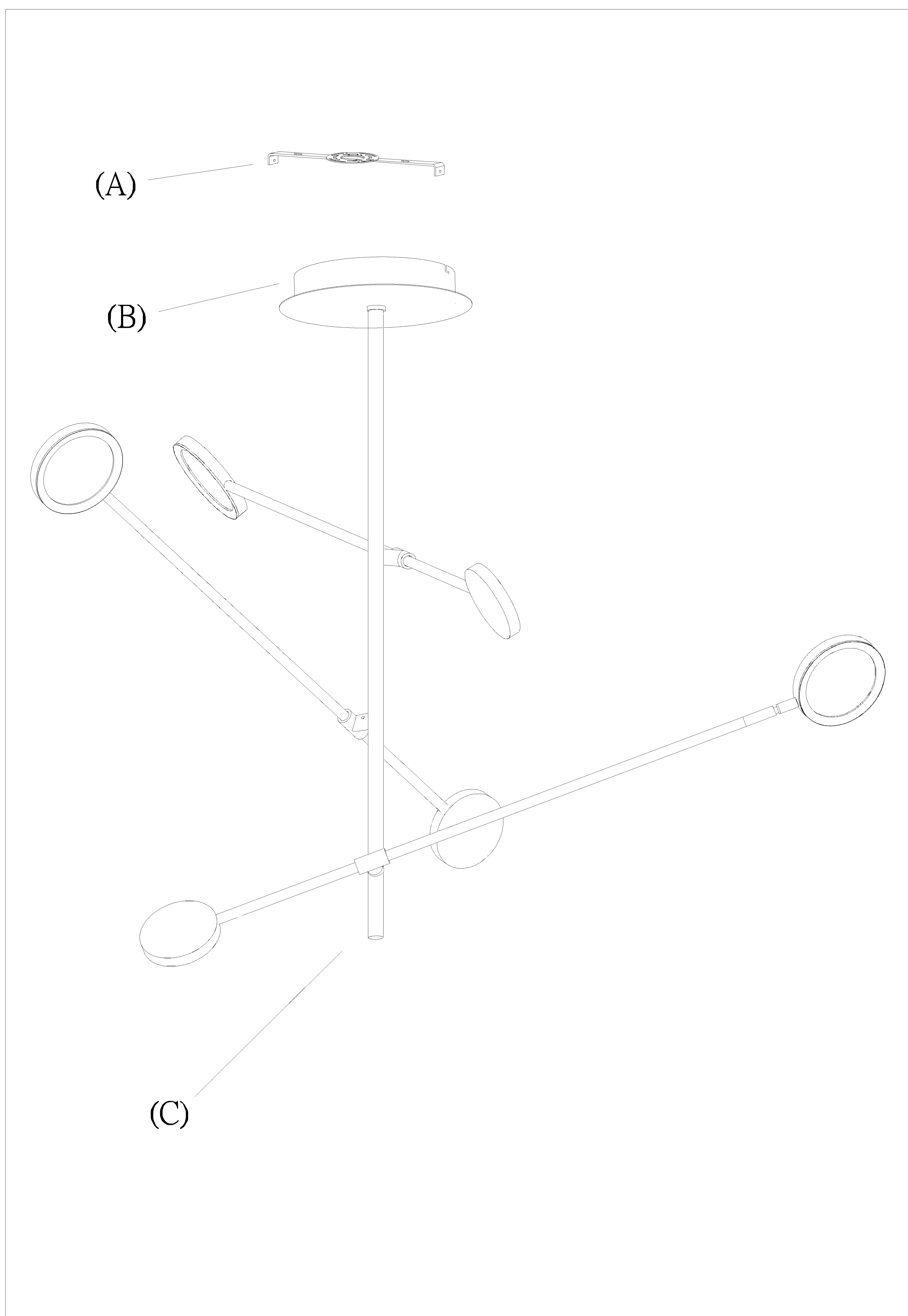


(B)
Canopy



(C)
Body

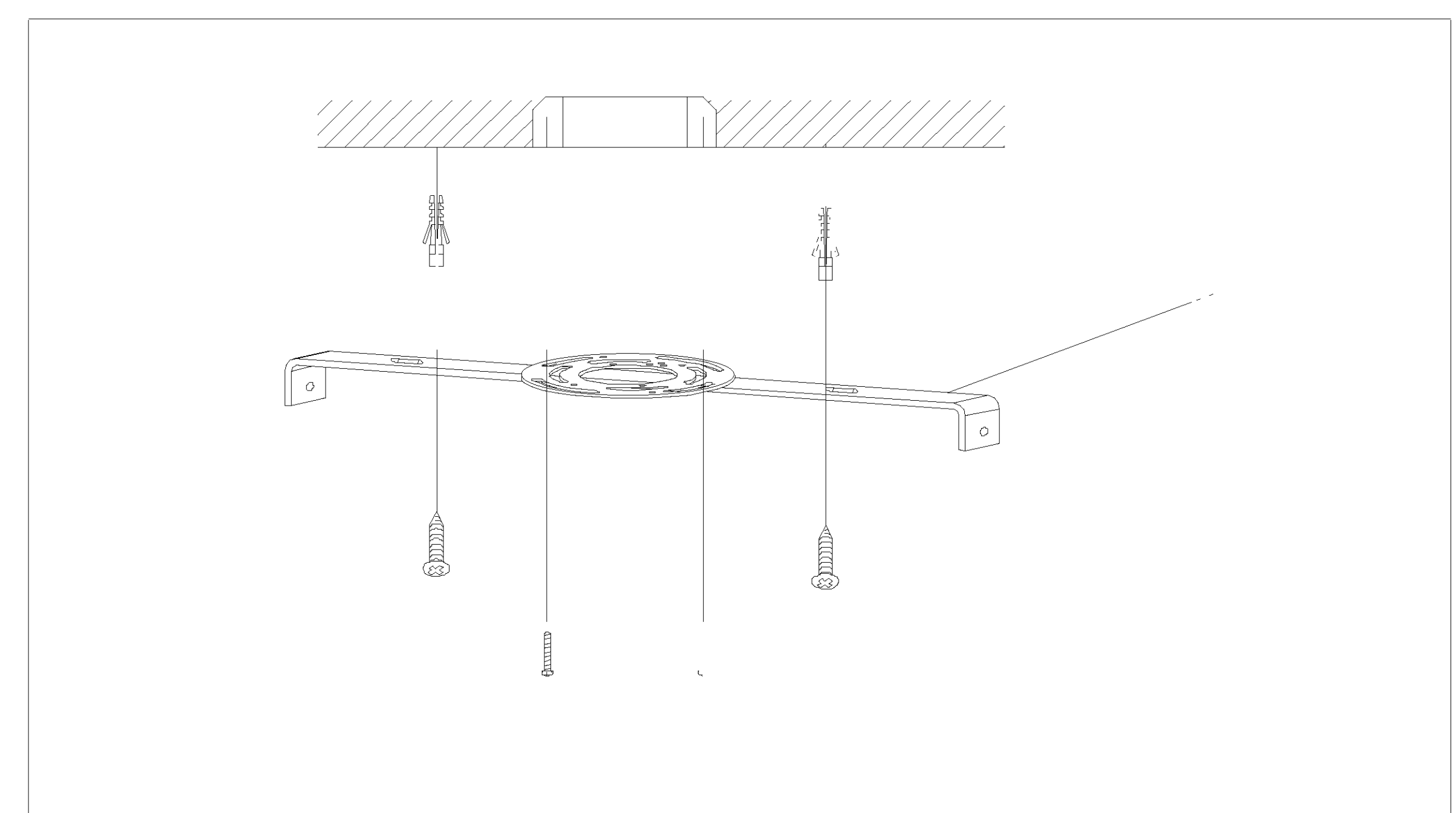
Locate all hardware & components before discarding packaging



Tightening of the paddle-arms may be required

Cleaning & Care:
Clean with soft cloth and a mild detergent.
Do not use abrasive cleaner.

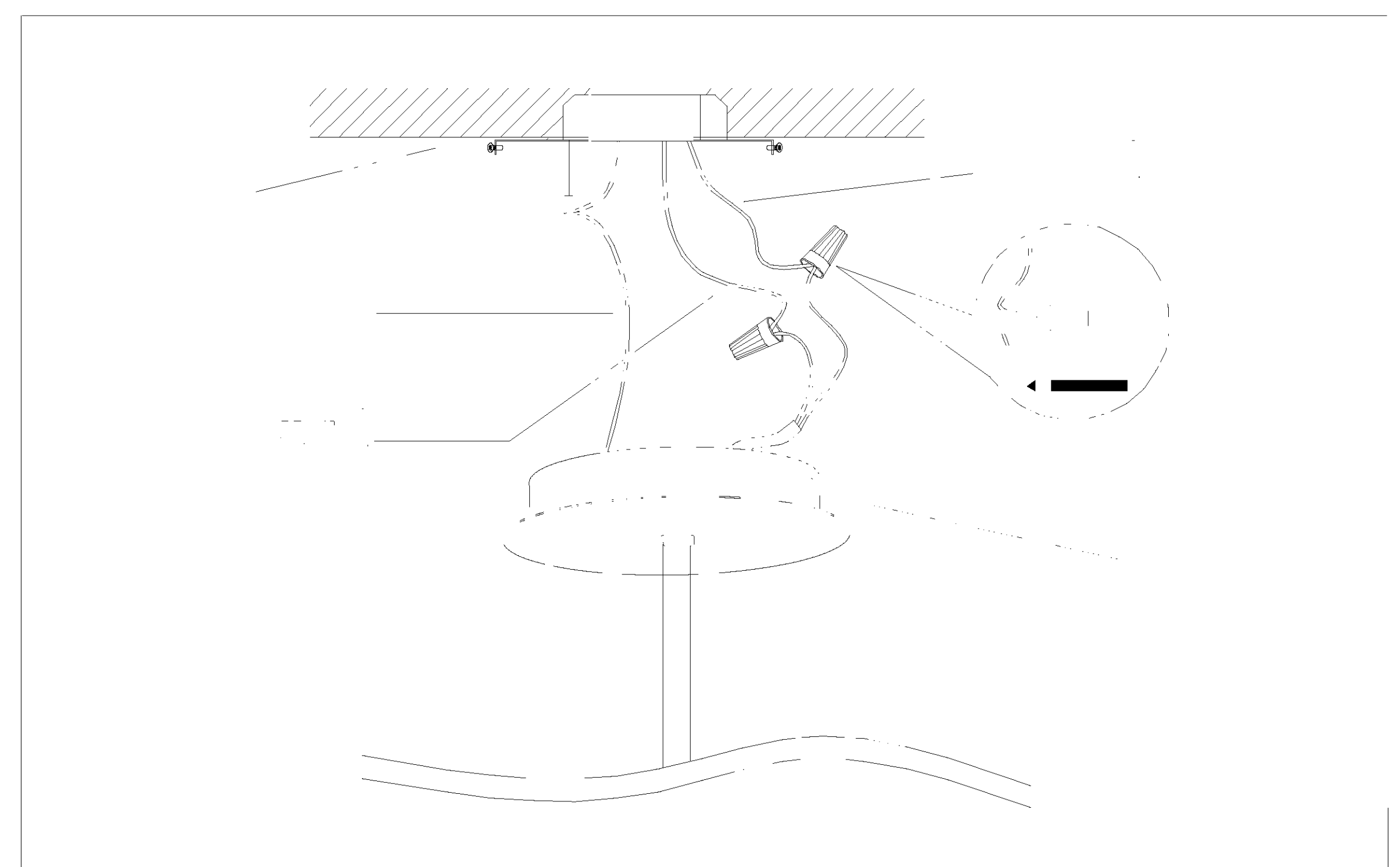
1.)



Step 1:

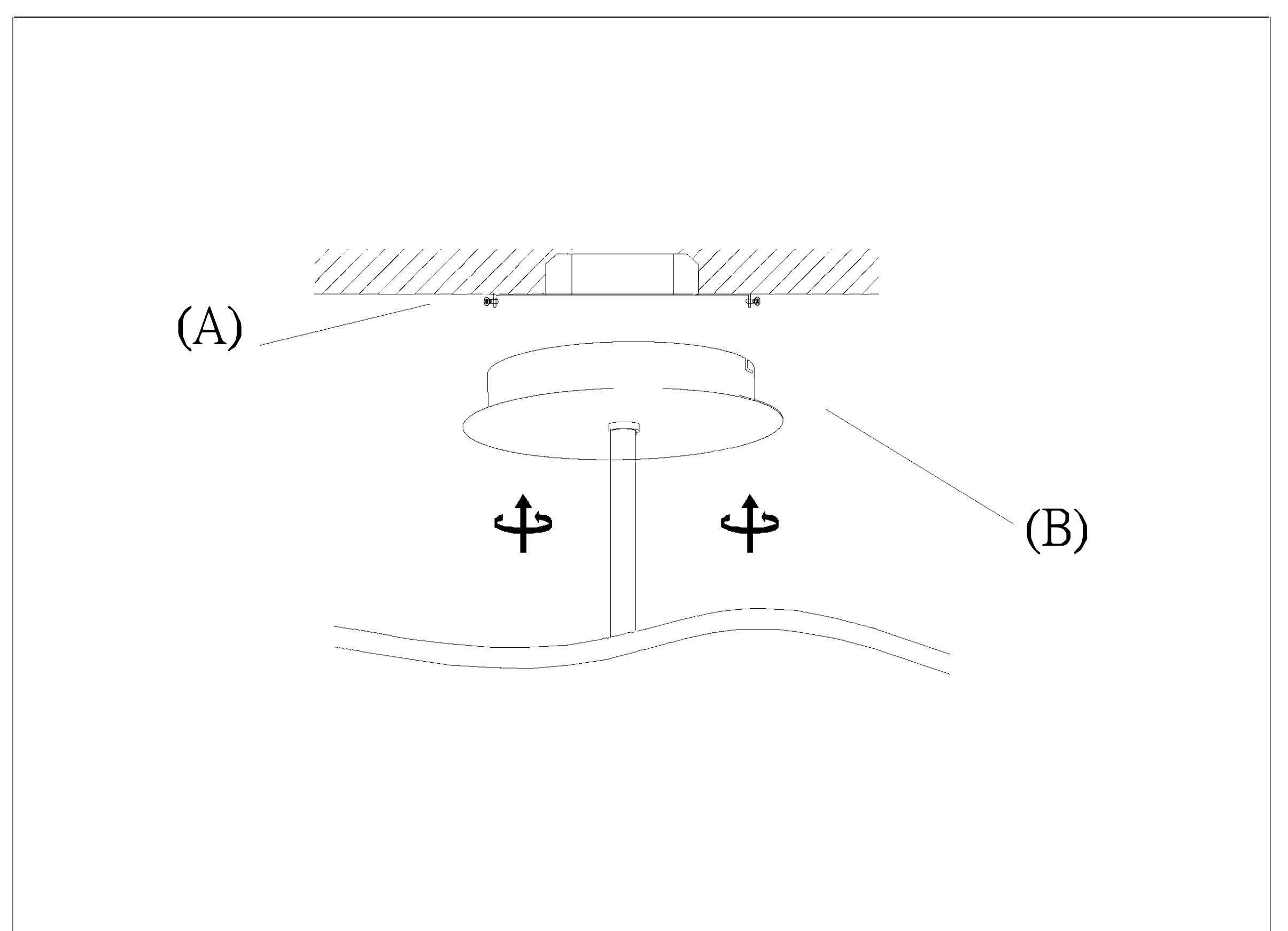
Install
ends of
g
3/16" ± drill
ket to
bracket at

2.)



Step 2: Use push pins to adjust wires to desired mounting height. Wire fixture to wires in outlet box. See dual plastic wire instructions for more details. Install Green wire to Ground Screw.

3.)



Step 3: Install Body (B) to Mounting Bracket (A) and tighten screws on the sides of the canopy to secure