

# CRAFTMADE

## LIGHTING

### Pendant Program #P725BNK1/P720BNK1

**PLEASE READ AND SAVE FOR FUTURE REFERENCE.**

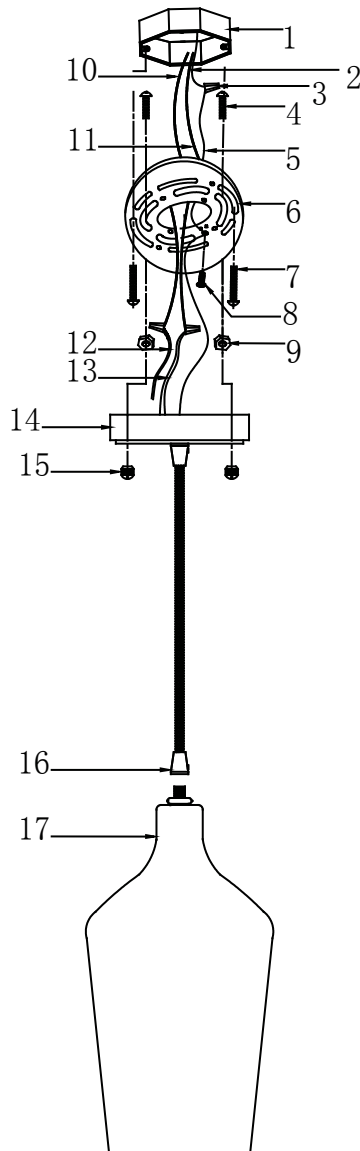
#### CAUTION

1. Turn off the main power at the circuit breaker before installing the fixture in order to prevent possible shock.
2. All electrical connections must be in accordance with local and National Electrical Code (N.E.C.) standards. If you are unfamiliar with proper electrical wiring connections, obtain the services of a qualified electrician.
3. **WARNING:** The outlet box must be capable of supporting at least 25lb.

#### GENERAL

Remove all parts and hardware from the box and make sure that none are missing by referencing the illustrations provided.

**Bulb Required (not included): 1 Medium Base 60 Watt Max.**



#### 1-LIGHT PENDANT

1. OUTLET BOX (not included)
2. SUPPLY GROUND WIRE (not included)
3. WIRE CONNECTORS
4. FIXTURE SCREWS
5. FIXTURE GROUND WIRE
6. MOUNTING PLATE
7. OUTLET BOX SCREWS  
(pre-attached to outlet box)
8. GROUND SCREW
9. HEX NUTS (pre-attached)
10. BLACK SUPPLY WIRE (not included)
11. WHITE SUPPLY WIRE (not included)
12. SMOOTH (OR BLACK) FIXTURE LEAD WIRE
13. RIBBED (OR WHITE) FIXTURE LEAD WIRE
14. CANOPY
15. LOCK-UP KNOB
16. STRAIN RELIEF
17. GLASS SHADE