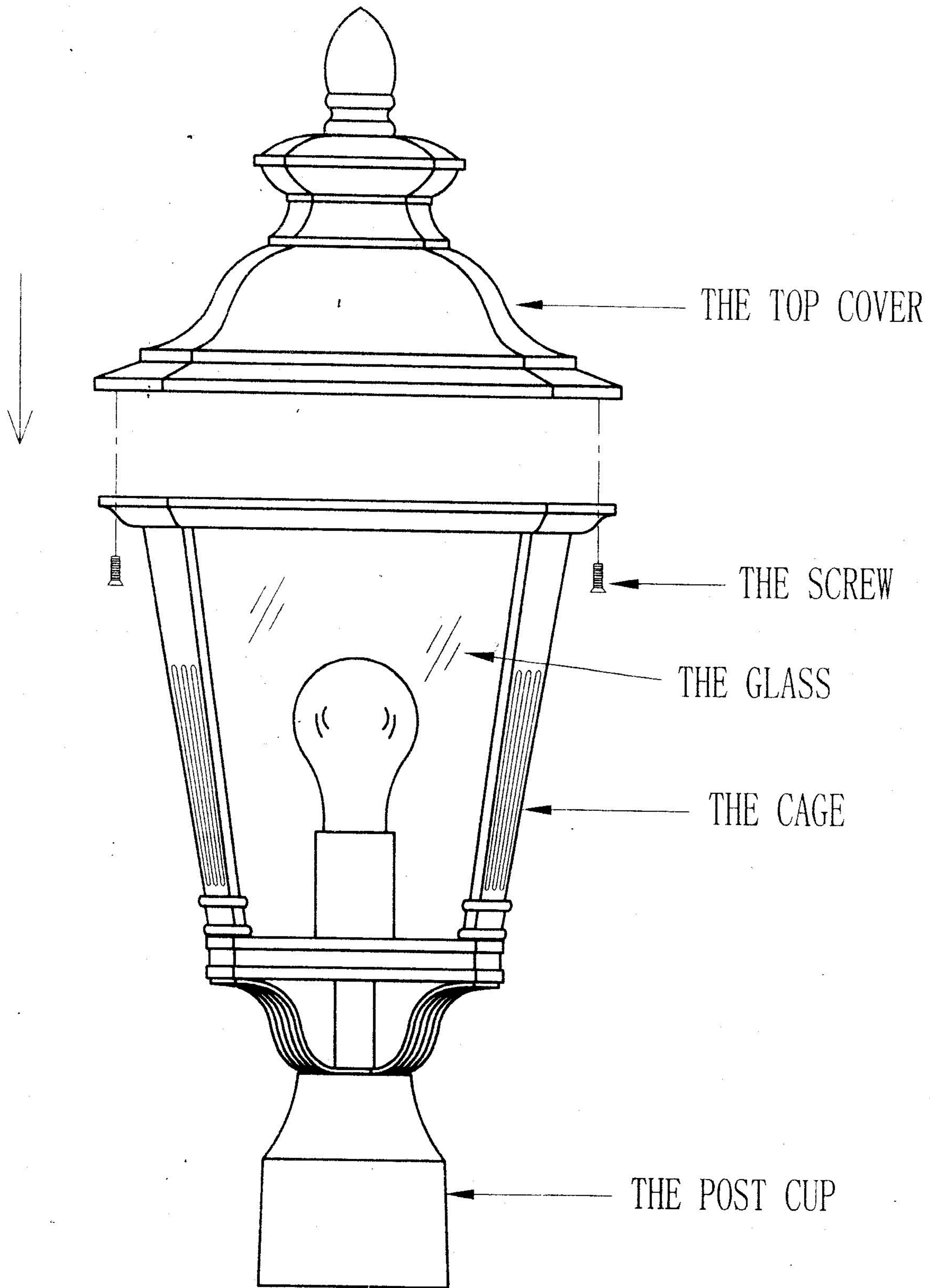


MAXIM LIGHTING®

Assembly Instructions

1120/1121



READ AND SAVE THESE INSTRUCTIONS INSTALLATION OPERATION INSTRUCTIONS

FOR MODEL SERIES: POST LANTERN TOOLS & MATERIALS REQUIRED

Blade screw driver

Step Ladder

Wire cutters

Wiring supplies as required by electrical code

GENERAL

1. To ensure the success of the installation, be sure to read these instructions and review the diagram, thoroughly before beginning.
2. All electrical connections must be in accordance with local codes, ordinances, or the National Electrical Code, if you're unfamiliar with methods of installing electrical wiring, secure the services of a qualified licensed electrician.
3. These fixtures are intended to be mounted outdoor to a wooden or metal post. The post must be secured into and directly supported by the ground.
4. Before starting the installation, disconnect the power by turning off the circuit breaker or by removing the fuse at the fuse box. Turning the power off using the light switch is not sufficient to prevent electrical shock.

NOTE: The important safeguards and instructions appearing in this manual are not meant to cover all possible conditions and situations that may occur. It must be understood that common sense, caution, and care are factors, which cannot be built into any product. These factors must be supplied by the person(s) caring for and operating the fixture.

UNPACK THE FIXTURE

Check the contents of the box. You should receive:

Post Lantern Fixture

Hardware Package(wire connectors)

PREPARE THE FIXTURE

NOTE: FIRST TURN OFF ELECTRICITY

1. If you are replacing an existing fixture, disconnect and remove the old fixture. Expose the supply wiring from inside the post.
2. Make Electrical Connections-see below

ELECTRICAL CONNECTIONS

To Make Electrical Connections:

Connect the white wire(s) from the fixture to the white wire of the supply circuit. Connect the black wire(s) from the fixture to the black wire of the supply circuit. Attach the grounding wire (green or bare copper) from the supply circuit with the green grounding wire attached to the fixture. Use U.L. Listed wire connectors suitable for the size, type and number of conductors. No loose strands or loose connections should be present. Secure wire connectors with U.L. Listed electrical tape.

FINAL ASSEMBLY

1. Spread the electrical splices so that the black wires are on one side and the white wires are on the other side.
2. Place and mount the fixture to the post and secure with screws. Three holes are located on the post for securing the lantern to the post.
3. Remove the decorative top enclosure to install the light bulb(s).
CAUTION: refer to the relamping marking located near the lamp holder or on packing box for recommended maximum wattage-do not exceed recommended wattage.(Light bulb not provided)
4. Replace the decorative top enclosure and secure with the screws provided.
5. Outdoor fixtures must be caulked around the post with RTV Silicones caulking to reduce the chance water intruding into the splicing area.